



## NABM...10 HN (S1) SERIES

NABM series standard valve actuators are especially designed and produced for applications in the HVAC systems. Our wide range of standard valve actuators has been developed to operate and position ball valves of different sizes.

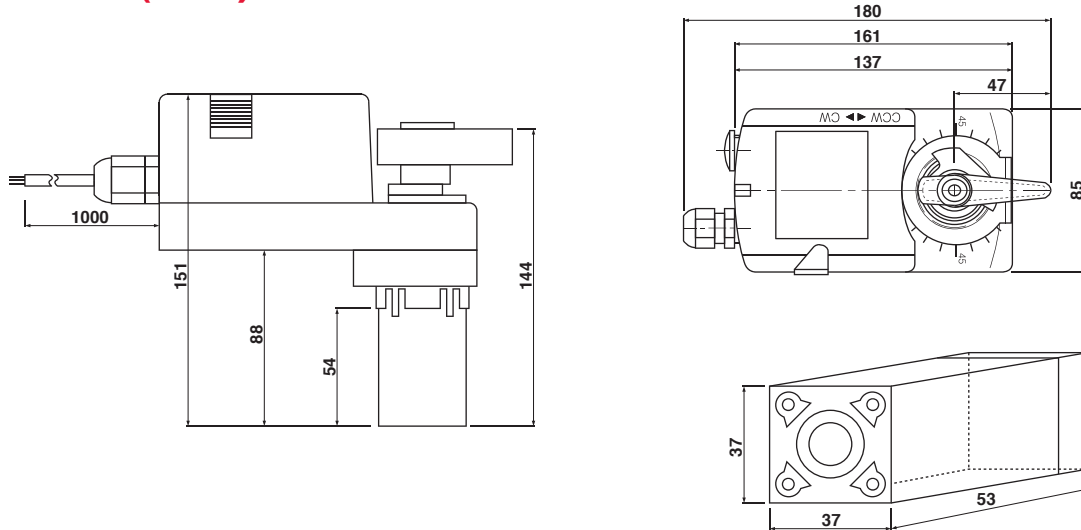
## PRODUCT FEATURE

- Torque 10 Nm
- Valve size DN40(1½") / DN50(2")
- Power supply AC/DC 24 V / AC2 30V
- Control Modulating DC 0(2)...10 V & DC 0(4)...20 mA
- Shaft dimensions - □ 9.0 mm (fixed)
- Selectable direction of rotation of reversing actuator
- Actuator with 1 m cable connection
- Optional 1 Adjustable SPDT auxiliary switch

## MODEL SELECTION TABLE

MODEL / TYPE	TORQUE	POWER SUPPLY	RUNNING TIME	AUXILIARY SWITCH
NABM 1.1-10 HN	10 Nm	AC/DC 24 V ± 10%	100...150 sec	-
NABM 1.1-10S1 HN	10 Nm	AC/DC 24 V ± 10%	100...150 sec	1 x SPDT (Adjustable)

## DIMENSION (mm)

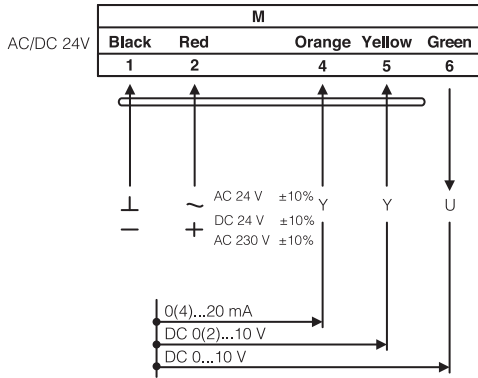


## TECHNICAL SPECIFICATION

<b>MODEL NUMBER</b>	<b>NABM 1.1-10 (S1) HN</b>
<b>TORQUE</b>	10 Nm
<b>VALVE SIZE</b>	DN40(1½") / DN50(2")
<b>SHAFT DIMENSION</b>	□ 9.0 mm (fixed)
<b>POWER SUPPLY</b>	AC/DC 24 V ± 10%
<b>FREQUENCY</b>	50...60 Hz
<b>CONTROL SIGNAL (INPUT)</b>	DC 0(2)...10 V / 0(4)...20 mA
<b>POSITION SIGNAL (OUTPUT)</b>	DC 0...10 V
<b>POWER CONSUMPTION</b>	
● OPERATING	6.0 W
● END POSITION	4.0 W
<b>FOR WIRE SIZING</b>	6.5 VA
<b>ELECTRICAL CONNECTION</b>	1 m Cable
<b>AUXILIARY SWITCH RATING</b>	3 (1.5) A, AC 250 V
<b>PROTECTION CLASS</b>	Class III ⚡
<b>ANGLE OF ROTATION</b>	90° (95° mechanical)
<b>WEIGHT</b>	< 1.1 Kg
<b>LIFE CYCLE</b>	60,000 Rotation
<b>SOUND LEVEL</b>	40 dB
<b>IP PROTECTION</b>	IP54
<b>OPERATING TEMPERATURE</b>	-20°...50° as per IEC 721-3-3
<b>NON-OPERATING TEMPERATURE</b>	-30°...+60° C / IEC 721-3-2
<b>AMBIENT HUMIDITY</b>	5%...95% rH non condensing / EN
<b>MAINTENANCE</b>	Maintenance Free
<b>MODE OF OPERATION</b>	Type I / EN 60730-1
<b>EMC</b>	CE & ISO 9000 EN / EEC

## NABM SERIES BALL VALVE ACTUATOR Modulating Control 10 Nm

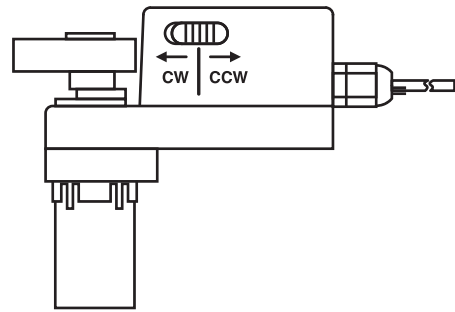
### WIRING DIAGRAM NABM...10 (S1) HN POWER SUPPLY AC/DC 24V



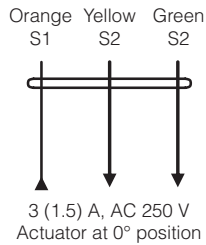
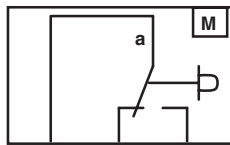
### DIRECTION OF ROTATION NABM...10 (S1) HN

Default factory setting: CCW.

Direction of rotation can be changed by toggling between CW/CCW switch on the actuator's housing.



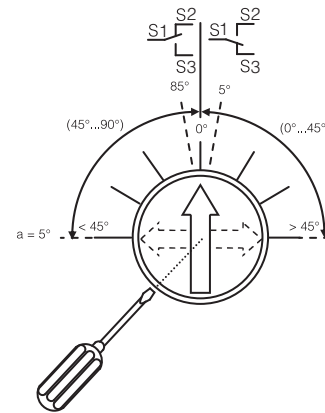
### WIRING DIAGRAM NABM...10 (S1) HN AUXILIARY SWITCH



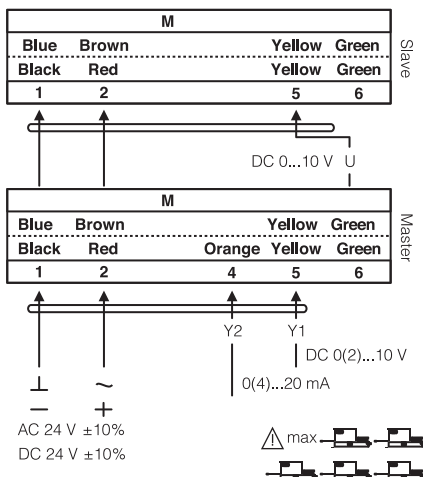
### AUXILIARY SWITCH NABM...10 (S1) HN

Switch **a** factory-set at 5°.

The auxiliary switch can be optimally adjusted between 0°...90°.



### WIRING DIAGRAM NABM...10 (S1) HN PARALLEL CONNECTION



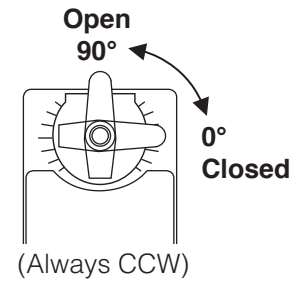
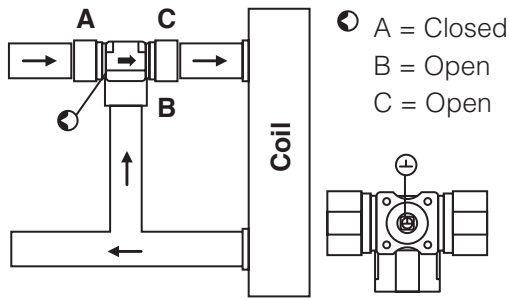
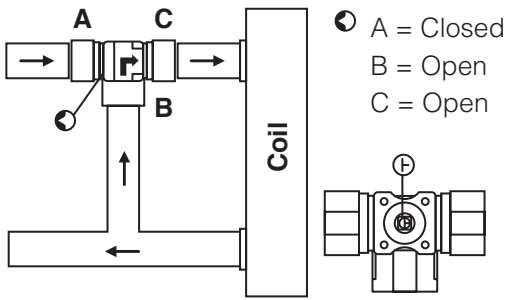
### REMARK

During parallel operation, the output signal (terminal 6, DC 0...10 V) of the master actuator must be connected to terminal 5 of the next slave actuator.

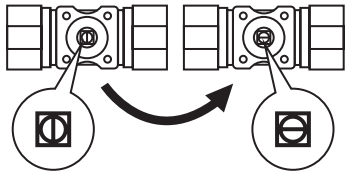
**MIXING CLOSED**

**MIXING OPEN**

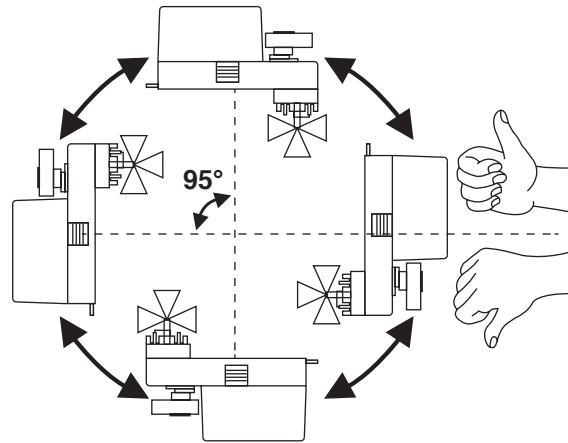
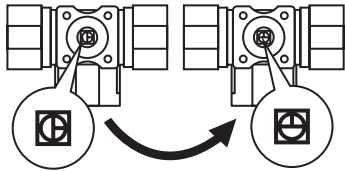
**ACTUATOR POSITION**



**2-way Closed 2-way Open**



**3-way Closed 3-way Open**



**IMPORTANT REMARK**

For special requirement, consult your local Nenuotec's representative.

This actuator includes electrical and electronic components and may not be disposed as household garbage. Please consider the local valid legislation.

AC / DC 24 V: Connect via safety isolating transformer.  
AC 230 V: To isolate from the main power supply, the system must incorporate a device which disconnects the phase conductor (with at least a 3mm contact gap.)

The performance specifications are nominal and conform to acceptable industry standards. NENUTEC shall not be liable for damages resulting from misapplication or misuse of its products.