

NVMB SERIES MOTORISED FAN COIL VALVE

2 Points On/Off Floating Control



NVMB SERIES

NVMB motorised fan coil valve is mainly use in the HVAC system to regulate the flow of water and steam in response to the demand of a controller.

PRODUCT FEATURE

- Complete range from DN 15 to DN 25
- 2-way open, 3 way mixing or diverting
- Forged brass body
- Bubble-tight shutoff conserves energy and accurately controls zone temperature for increased comfort
- High close-off pressure actuator satisfies demanding requirements of high-rise buildings and high pressure pumping systems
- Actuator can be factory or field installed

TECHNICAL SPECIFICATION

VALVE BODY PRESSURE RATING	290 PSIG (PN20 or 2,000 kPa) Meets Requirements of ANSI B16.15, Class 250		
FLUID / AMBIENT TEMPERATURE LIMIT	5 to 95°C water at an Ambient Temperature of 40°C		
SHIPPING & STORAGE TEMPERATURE LIMIT	-40 to 70°C (-40 to 158°F)		
SERVICE	Chilled and Hot Water, up to 50% Glycol Solutions		
POWER SUPPLY	230 VAC ±10%, 50/60Hz		
POWER CONSUMPTION/TORQUE	2W, 2Nm		
RUNNING TIME	40 - 50 seconds		
SEAT LEAKAGE	0.01% of KVs		
CLOSE OFF PRESSURE	6 Bar		
PIPE CONNECTION	BSP		
BODY MATERIAL	Brass Trim	Body	Forged Brass
		Stem	Brass
		Seat	EPDM
		Seal	HNVR Double O - Ring
CERTIFICATION	CE and ISO 9000 (EN...requirements)		

MODEL SELECTION

KV's	DN		SELECTION TYPE		WEIGHT (kg)
	(mm)	(inch)	2-way	3-way	
1.6	15	½"	NVMB-2015-xB	NVMB-3015-xB	0.76/1.0
4.0	20	¾"	NVMB-2020-xB	NVMB-3020-xB	0.80/1.1
10	25	1"	NVMB-2025-xB	NVMB-3025-xB	0.95/1.3

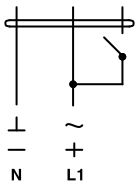
x = 1 for 24VAC (e.g NVMB-2020-1B)

x = 2 for 230VAC (e.g NVMB-2020-2B)

WIRING DIAGRAM

Power Supply AC 230 V ±10%

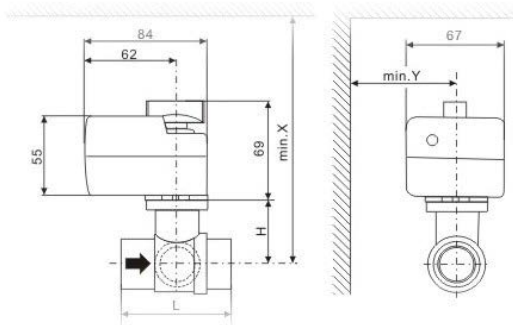
230V		
blue	brown	white
1	2	3



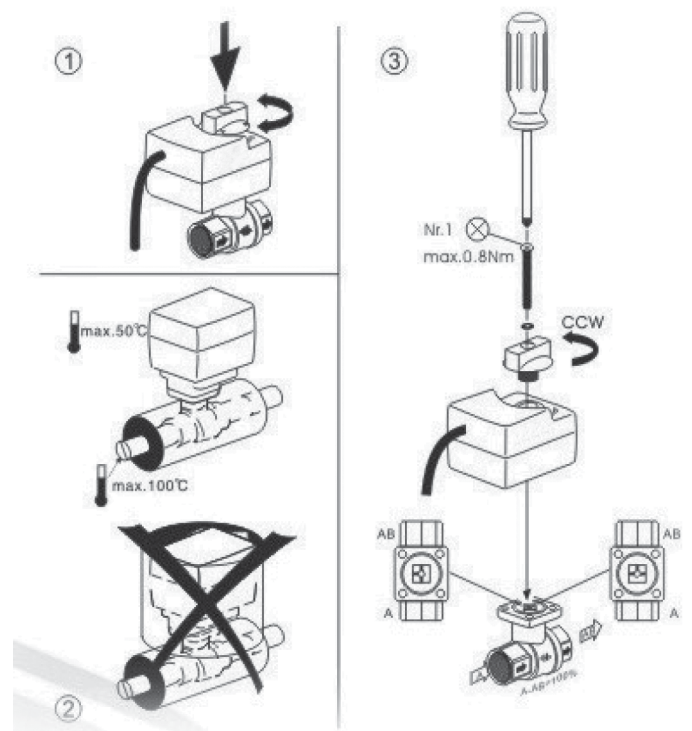
2 Points Control

⚠ Connect via safety isolating transformer

DIMENSION



INSTALLATION



MANUAL OPERATING LEVER

All NVMB Series (Motorised Fan Coil Valves) are equipped with a manual operating knob

- For manual operation, press and turn knob (clockwise / counter-clockwise for open / close control).
- 3-way valves used for mixing or diverting
- For actuator replacement, 230VAC actuator model is MB-2

The performance specifications are nominal and conform to acceptable industry standards. NENUTEC shall not be liable for damages resulting from misapplication or misuse of its products.