

NTS 950 SERIES

ACTIVE TEMPERATURE AND HUMIDITY SENSOR



NTS 950 SERIES

NTS 950 series Active sensor is designed for use with NPC680 series controller for a variety of heating and cooling applications controlled by water valves and damper actuator.

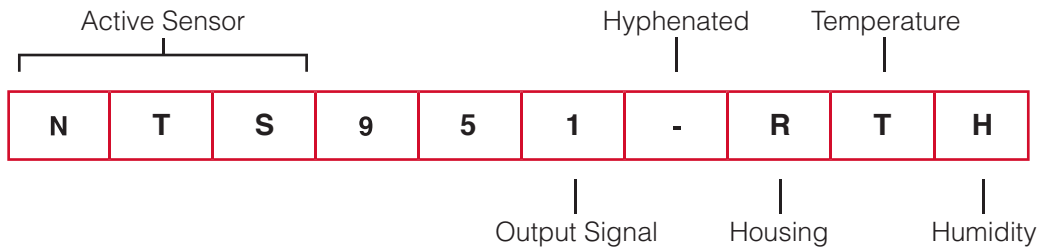
PRODUCT FEATURE

- Active Temperature and Humidity for Room, Duct or pipe mounting
- 0-10Vdc or 4-20mA available for active sensor
- Temperature and Humidity available in single housing of duct or room mounting
- Thermo well available for NTW950 (55mm) or NTW950 (115mm) for Pipe Application

TECHNICAL SPECIFICATION

POWER SUPPLY	DC 24V	
TEMPERATURE RANGE	Room Type	0 to 50°C
	Duct Type	-20 to 50°C
	Pipe Type	0 to 50°C or 0 to 100°C (Indicate when ordering)
HUMIDITY RANGE	0 - 100%	
TEMP SENSOR ELEMENT	NTC Thermistor 10K Ω at 25°C	
ACCURACY	$\pm 1^\circ\text{C}$	
ANALOGUE OUTPUT	DC 0 - 10Vdc or 4 - 20mA	
BODY MATERIAL	Self-extinguishing, Molded ABS	
IP PROTECTION	IP30	
AMBIENT TEMPERATURE	20°...50° as per IEC721-3-3	
AMBIENT HUMIDITY	5....95% rH (non Condensing)	
INVENTORY TEMPERATURE	+70°C as per IEC 721-3-2	
CERTIFICATION	CE and ISO 9000 (EN...requirements)	

TABLE 1: SENSOR CODE NUMBER DESIGNATION



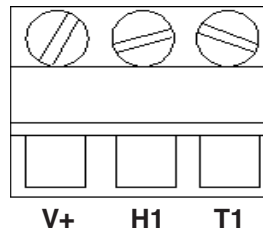
SENSOR	NTS 950 Series
HOUSING TYPE	R = Room D = Duct P = Pipe

OUTPUT SIGNAL	1 = 0 - 10Vdc
	2 = 0 - 10Vdc for RH and NTC 10K Temperature
HUMIDITY OR TEMP RANGE	4 = 4 - 20mA
	5 = 4 - 20mA for RH and NTC 10K Temperature
	H = Humidity (Room and Duct Type Only)
	A = 0 to 50°C (For Pipe Type Only) B = 0 to 100°C (For Pipe Type Only)

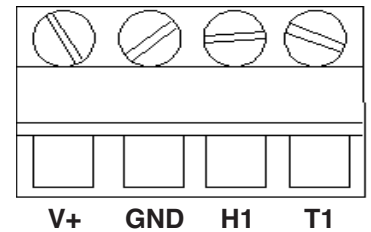
TERMINAL

V+	+24V
GND	Ground
H1	Analog Output for Humidity
T1	Analog Output for Temperature

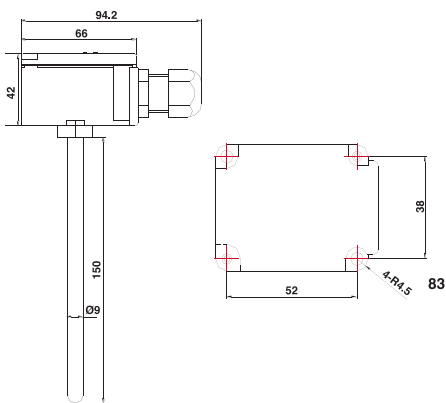
CURRENT MODE



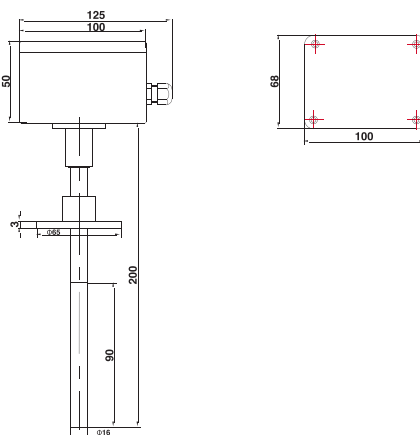
VOLTAGE MODE



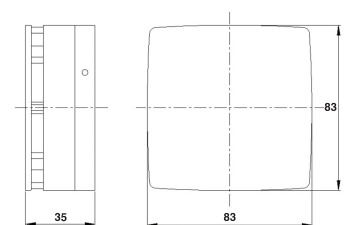
PIPE TYPE



DUCT TYPE



ROOM TYPE



The performance specifications are nominal and conform to acceptable industry standards. NENUTEC shall not be liable for damages resulting from misapplication or misuse of its products.