


NAV SERIES ELECTRIC VALVE ACTUATOR


NENUTE[®] C


INNOVATIVE MEMBER OF SWIS⁺TEC

NENUTE[®] ASIA PACIFIC PTE LTD
7030 Ang Mo Kio Ave 5
#03-56 Northstar @ AMK
Singapore 569 880



 (65) 6570 3233

 (65) 6570 6783

 info@nenutec.com.sg

NAV SERIES ELECTRIC VALVE ACTUATOR



NAV SERIES

NAV series electric valve actuator is mainly use with Globe Valve in the HVAC system to regulate the flow of water and steam in response to the demand of a controller.

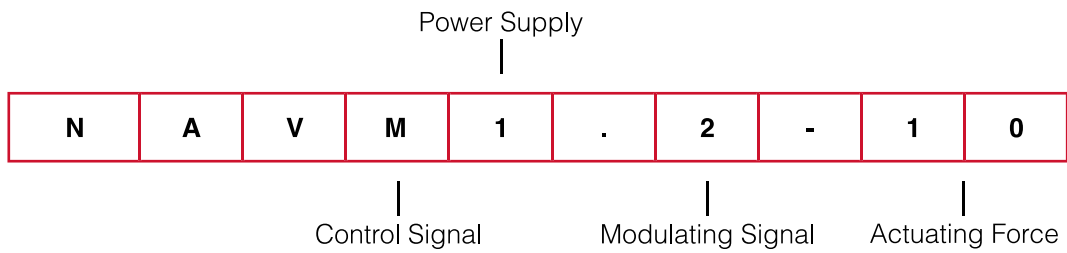
PRODUCT FEATURE

- Complete range from 1000N to 3000N
- 3 Point floating or modulating (0-10VDC or 4-20mA Control Signal Selectable)
- Low leakage factor of up to 0.05%
- High close-off pressure actuator satisfies demanding requirements of high-rise buildings and high pressure pumping systems
- LCD Display for 1800N & 3000N model

TECHNICAL SPECIFICATION

ACTUATING FORCE	1000N / 1800N / 3000N
POWER SUPPLY	AC 24 V
FREQUENCY	50 / 60 Hz
POWER CONSUMPTION	2.4 W
PROTECTION CLASS	II
CONTROL SIGNAL	See Table 1: Valve Code Number Designation
LIFE CYCLE	60,000 cycle
IP PROTECTION	IP 42 (1000N), IP54 (1800N / 3000N)
AMBIENT TEMPERATURE	-20°...50° as per IEC721-3-3
AMBIENT HUMIDITY	5...95% rH (non Condensing)
INVENTORY TEMPERATURE	+70°C as per IEC 721-3-2
STROKE LENGTH	Max 20 mm (1000N), Max 42mm (1800N / 3000N)
WEIGHT	See Table 2: Maximum Close-Off Pressure (Kpa) And Weight
CERTIFICATION	CE and ISO 9000 (EN...requirements)

TABLE 1: VALVE CODE NUMBER DESIGNATION



VALVE ACTUATOR NAV	NAV = Valve Actuator
CONTROL SIGNAL	A = 3 Point Control M = Modulating Control
POWER SUPPLY	1 = AC 24
MODULATING SIGNAL (APPLICABLE FOR MODULATING SIGNAL)	2 = 0(2)-10 Vdc (Factory Default Setting) / 0(4)-20 mA
ACTUATING FORCE	10 = 1000N 18 = 1800N 30 = 3000N

To Order

Specify the code number from the Actuator Code Selection Guide.

Repair Parts

Available repair parts for NAV Series Actuator include replacement actuators.
No other field repairs should be attempted.

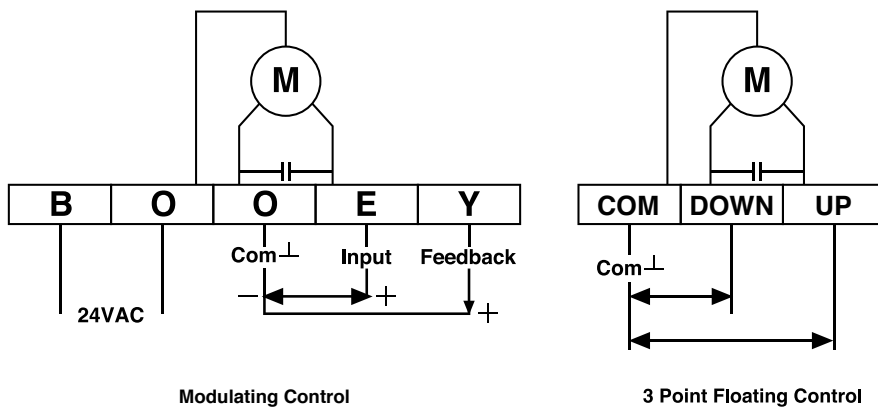
NAV SERIES ELECTRIC VALVES ACTUATOR

TABLE 2: MAXIMUM CLOSE-OFF PRESSURE (KPA) AND WEIGHT

MAXIMUM SHUTOFF PRESSURE (KPA)							WEIGHT
MODEL	FORCE (N)	DN20	DN25	DN32	DN40	DN50	KG
NAV... -- 10	1000	1000	680	550	400	270	1.2
MAXIMUM SHUTOFF PRESSURE (KPA)							WEIGHT
MODEL	FORCE (N)	DN65	DN80	DN100	DN125	DN50	KG
NAV... -- 18	1800	340	150	90	-	-	4.8
NAV... -- 30	3000	-	-	270	150	90	5.0

FIGURE 3: ACTUATOR WIRING DIAGRAM

NAV...10 (1000N)



NAV...18 and NAV...30 (1800N and 3000N)

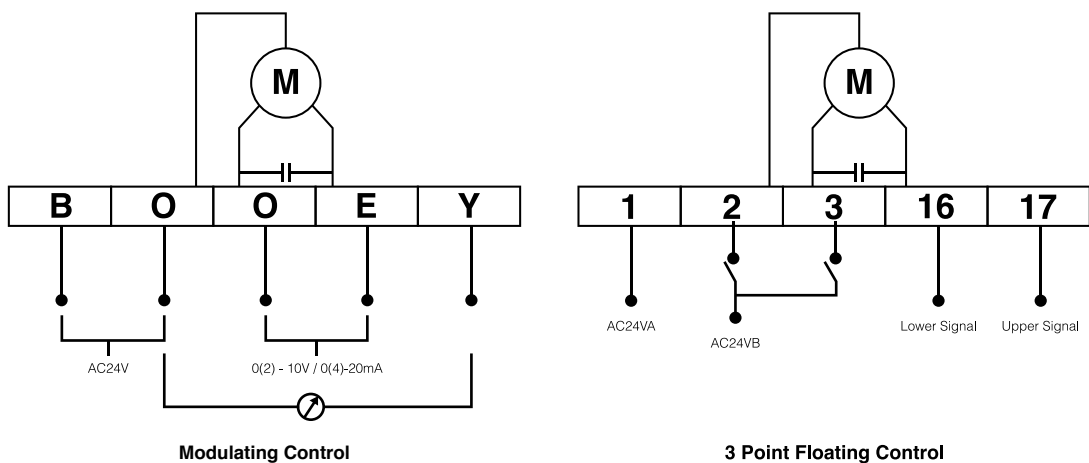
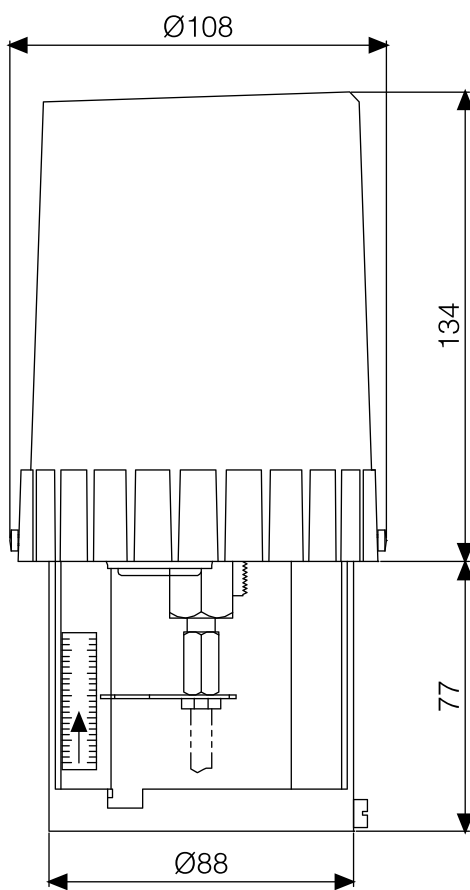
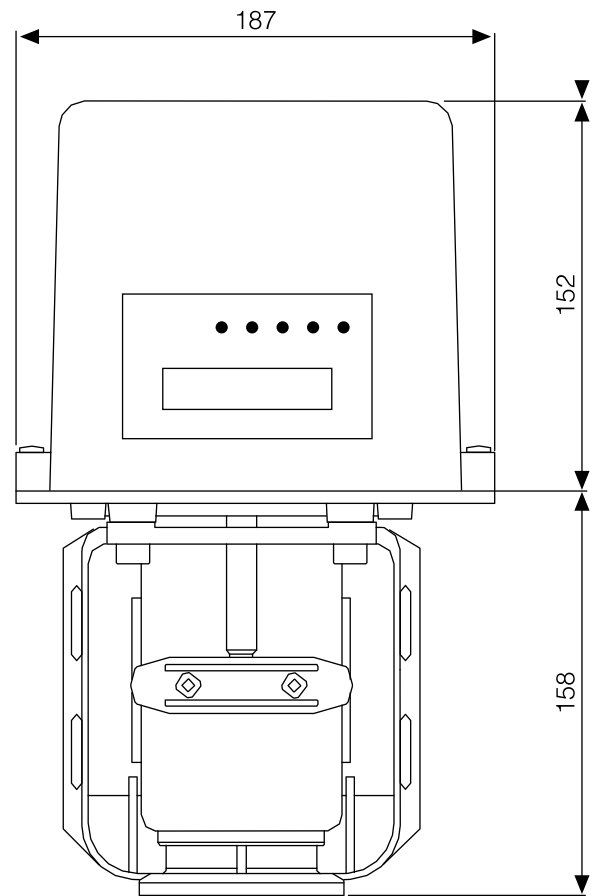


TABLE 3: DIMENSION OF ACTUATOR (mm)



NAV... 10 Series (1000N)



**NAV... 18 Series (1800N)
NAV... 30 Series (3000N)**

APPLICATION OVERVIEW

The NAV series Electric Valve Actuator features a complete range from 1000N to 3000N actuating force. They are use with the globe valve to regulate the flow of water or Steam. The Actuator can be ordered with NENU TEC Valve NVCS or NVCF series valves and NTC controller for a complete HVAC solution.

The performance specifications are nominal and conform to acceptable industry standards. NENU TEC shall not be liable for damages resulting from misapplication or misuse of its products.